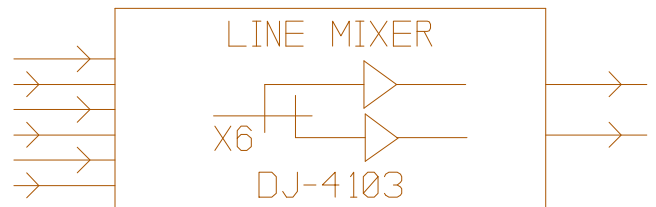


DESIGN SYMBOL

DESCRIPTION

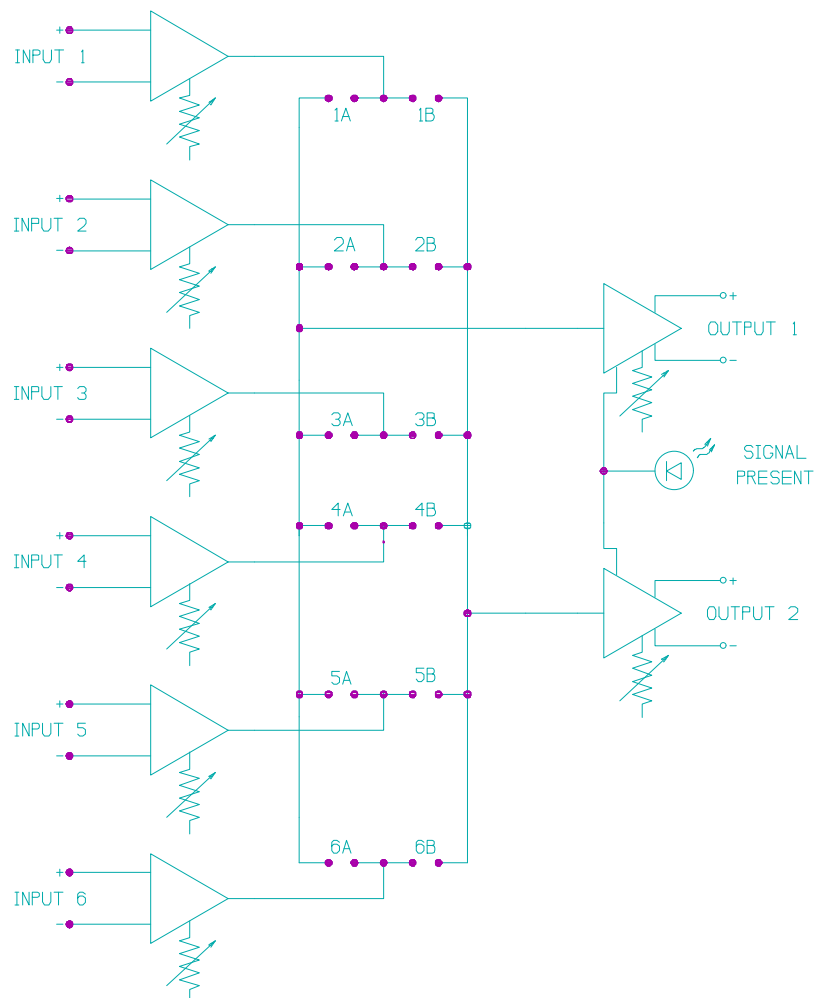
The DJ-4103 provides six inputs mixed to two outputs. Jumper programming directs each input to either or both outputs. The DJ-4103 is particularly useful for stereo systems or any application requiring two separate mixed outputs. Gain is adjustable in each input and both outputs, independently, with potentiometers on the front edge of the module.



FUNCTIONAL DIAGRAM

FEATURES

- Two outputs
- Jumper programmable mix
- Active balanced inputs/outputs
- Nominal unity gain, 20dB max
- Gain programming resistors
- Five year limited warranty



OPERATION

Gain of each input channel and each output is adjusted by a potentiometer on the front edge of the module. Each output is an independent mix from the six inputs as selected by simple moveable pin-jumpers on the module.

SPECIFICATIONS

LINE INPUT	Standard <i>SYSTEM</i> 41 active balanced
Impedance	82k Ω balanced, 41k Ω unbalanced
Maximum Input	+ 19dBV
LINE OUTPUT	Standard <i>SYSTEM</i> 41 active balanced
Impedance	200 Ω for 600 Ω or greater load
Maximum Output	+ 19dBV, unloaded
GAIN	0dB nominal, + 20dB maximum, field alterable
FREQUENCY RESPONSE*	+ 0dB, -0.5dB
THD ^{*,**}	Less than .02% @ 0dBV output
EQUIVALENT INPUT NOISE ^{*,**}	Less than -96dBV
MODULE SPACE	One unit, 1.20 inches wide
CURRENT CONSUMPTION	60 mA typical

* Measured over a 20 Hz - 20 kHz bandwidth

** Measured at nominal gain setting

ARCHITECT'S SPECIFICATIONS

The mixer shall provide six active balanced inputs and two active balanced outputs. Each input shall be jumper programmable to either one or both of the outputs. Frequency response of the mixer shall be +0, -0.5dB, 20 Hz to 20 kHz. T.H.D. shall be less than .02% at 1 kHz and 0dBV. Equivalent input noise shall be -96dBV, or better, 20 Hz to 20 kHz. Nominal gain shall be unity, adjustable to 20dB maximum. Maximum gain shall be alterable by a gain programming resistor. Gain controls shall be provided for each input and each output. The output signal shall be monitored by a signal present LED. The mixer shall mount in and be powered by the IRP Model DJ-4100, DJ-4101, or DJ-4150 mainframe. The mixer shall be the IRP Model DJ-4103.

ORDERING INFORMATION

Specify: 6 X 2 Line Mixer DJ-4103