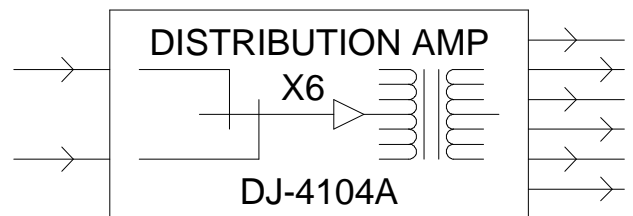


DESCRIPTION

The DJ-4104A is a dual distribution amplifier with two active balanced inputs and six transformer isolated outputs. All six outputs are pin-jumper programmable to be driven from either of the two inputs. The DJ-4104A is suitable for signal distribution to remote equipment, and for applications requiring power ground isolation, buffering, and extended frequency response.

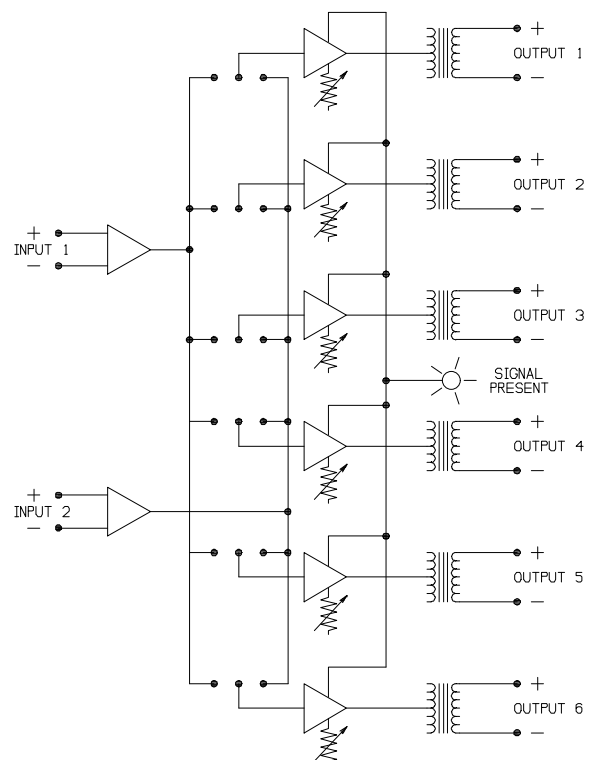
DESIGN SYMBOL



FEATURES

- Removable Screw Clamp Style Input / Output Connectors
- + 18dBV drive capability for 600Ω loads
- Inputs programmable to outputs
- Moveable pin-jumper programming
- Gain trim control on each output
- Gain programming resistors
- Signal Present LED
- Five year limited warranty

FUNCTIONAL DIAGRAM



SPECIFICATIONS

LINE INPUTStandard **SYSTEM 41** active balanced
Impedance82k Ω balanced, 41k Ω unbalanced
Maximum Input + 19dBV

OUTPUT Transformer isolated
Impedance25 Ω for 600 Ω or greater load
Drive Capability + 18dBV into 600 Ω and .02 μ F
Maximum Output..... + 19dBV, unloaded

GAIN: 0 dB nominal, + 10dB maximum

FREQUENCY RESPONSE* : + 0 dB, -0.5 dB
@ 0dBV output

THD**Less than .05%, 20 Hz - 20 kHz
@ + 18dBV output

EQUIVALENT INPUT NOISE*,**Less than -100dBV

MODULE SPACEOne unit, 1.2 inches wide

CURRENT CONSUMPTION 80 mA typical, 180 mA maximum

* Measured over a 20 Hz - 20 kHz bandwidth

** Measured at nominal gain setting

ARCHITECT'S SPECIFICATIONS

The distribution amplifier shall provide six transformer isolated outputs for driving remote equipment. Each output shall be capable of driving + 18dBV into 600 Ω in parallel with .02 μ F, over a 20 to 20kHz bandwidth. The six outputs shall be jumper programmable to be driven by either of the two active balanced inputs. Each output shall have a gain control. Maximum gain shall be factory set at 10dB. A gain programming resistor shall enable field change of maximum gain. Frequency response shall be +0dB, -.5dB, 20 to 20kHz. T.H.D. shall be less than 0.05%, 20 to 20kHz. Equivalent input noise shall be less than -100dBV, 20 to 20kHz. The output signal shall be monitored by a signal present LED. Input and Output connections shall be made by removable screw-clamp connectors. The distribution amplifier shall mount in and be powered by the IRP model DJ-4100, DJ-4101, DJ-4150 or DJ-4151 mainframe. The distribution amplifier shall be the IRP model DJ-4104A.

ORDERING INFORMATION

Specify: 2 x 6 Distribution Amplifier DJ-4104A