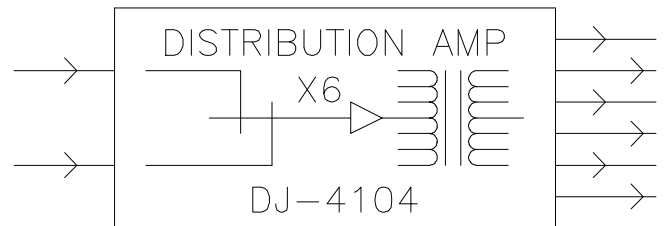


### DESCRIPTION

The DJ-4104 is a dual distribution amplifier with two active balanced inputs and six transformer isolated outputs. All six outputs are pin-jumper programmable to be driven from either of the two inputs. The DJ-4104 is suitable for signal distribution to remote equipment, and for applications requiring power ground isolation, buffering, and extended frequency response.

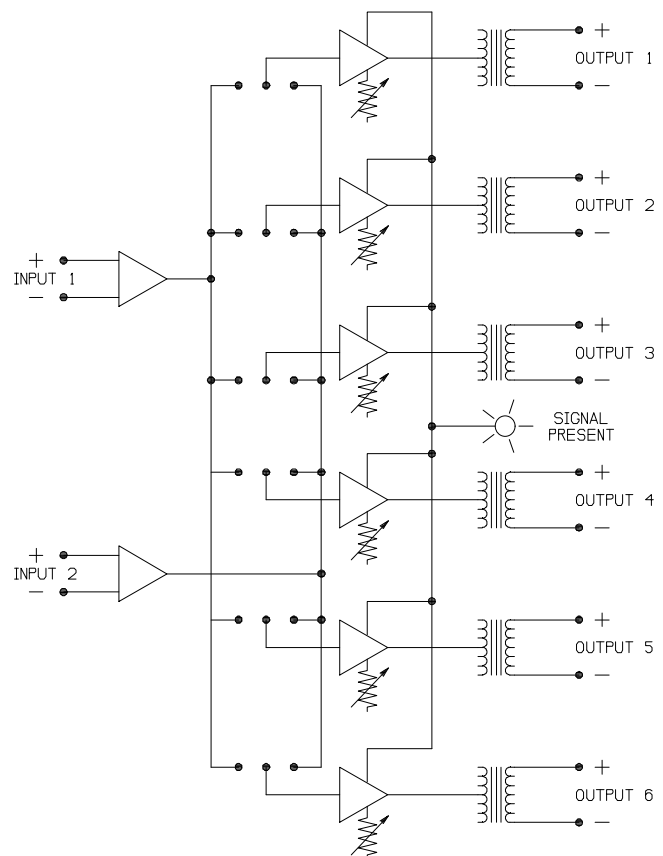
### DESIGN SYMBOL



### FEATURES

- Transformer isolated outputs
- +18dBV drive capability for 600Ω loads
- Inputs programmable to outputs
- Moveable pin-jumper programming
- Gain trim control on each output
- Gain programming resistors
- Signal present LED
- Five Year Limited Warranty

### FUNCTIONAL DIAGRAM



---

---

## SPECIFICATIONS

LINE INPUT .....	Standard <i>SYSTEM 41</i> active balanced
Impedance .....	82k $\Omega$ balanced, 41k $\Omega$ unbalanced
Maximum Input .....	+ 19dBV
TRANSFORMER OUTPUT .....	Transformer isolated
Impedance .....	25 $\Omega$ , for 600 $\Omega$ or greater load
Drive Capability .....	+ 18dBV into 600 $\Omega$ and .02 $\mu$ F
Maximum Output .....	+ 19dBV, unloaded
GAIN .....	0dB nominal, + 10dB maximum, field alterable
FREQUENCY RESPONSE* .....	+ 0dB, -0.5dB
THD** .....	Less than .05%, 20 Hz - 20 kHz @ 0dBV output Less than .1%, 30 Hz - 20 kHz @ 18dBV output
EQUIVALENT INPUT NOISE*,** .....	Less than -100dBV
MODULE SPACE .....	One unit, 1.2 inches wide
CURRENT CONSUMPTION .....	80 mA typical, 180 mA maximum

\* Measured over a 20 Hz - 20 kHz bandwidth

\*\* Measured at nominal gain setting

## ARCHITECT'S SPECIFICATIONS

The distribution amplifier shall provide six transformer isolated outputs for driving remote equipment. Each output shall be capable of driving + 18dBV into 600 $\Omega$  in parallel with .02  $\mu$ F, over a 20 Hz to 20 kHz bandwidth. The six outputs shall be jumper programmable to be driven by either of the two active balanced inputs. Each output shall have a gain control. Maximum gain shall be factory set at 10dB. A gain programming resistor shall enable field change of maximum gain. Frequency response shall be + 0dB, -0.5dB, 20 Hz to 20 kHz. T.H.D. shall be less than 0.05%, 20 Hz to 20 kHz. Equivalent input noise shall be less than -100dBV, 20 Hz to 20 kHz. The output signal shall be monitored by a signal present LED. The distribution amplifier shall mount in and be powered by the IRP model DJ-4100, DJ-4101, or DJ-4150 mainframe. The distribution amplifier shall be the IRP Model DJ-4104.

## ORDERING INFORMATION

Specify: 2 X 6 Distribution Amplifier DJ-4104