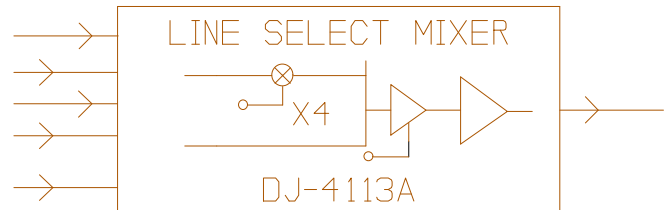


DESCRIPTION

The DJ-4113A provides remote selection of any combination of four inputs to a single mixed output. An additional auxiliary input useful for input expansion is provided. A bypassable remote level control is included for the mixed output.

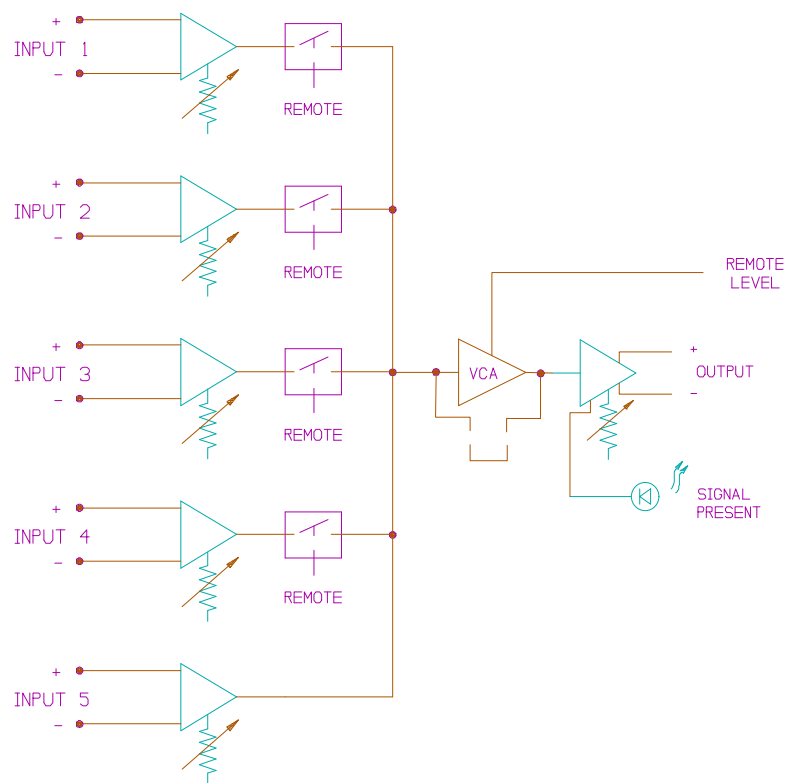
DESIGN SYMBOL



FEATURES

- 4 x 1 Line Mixer
- Remote control on/off each input
- Remote output level control VCA
- Auxiliary/Expansion input
- Gain controls for inputs and output
- Active balanced inputs/output
- Pin-jumper bypass for remote VCA
- Clickless switching
- Five year limited warranty

FUNCTIONAL DIAGRAM



OPERATION

Solid state analog switches are activated by a remote dry contact or an open collector transistor to ground. Channel off attenuation is greater than 80dB at 1 kHz. Any combination of inputs may be selected. The auxiliary input may be used to link the output of an added DJ-4113A, and provide additional inputs under remote switch control. The remote level control uses a studio-grade low noise/ low distortion VCA. The circuit is temperature compensated and has close tracking of units for stereo fader applications. A remote 10k Ω potentiometer provides DC control. A dry contact switch in the potentiometer wiper leg turns the output off (-100dB) without disturbing the level setting.

SPECIFICATIONS

LINE INPUT	Standard SYSTEM 41 active balanced
Impedance82k Ω balanced, 41k Ω unbalanced
Maximum Input	+ 19dBV
LINE OUTPUT	Standard SYSTEM 41 active balanced
Impedance	200 Ω for 600 Ω or greater load
Maximum Output	+ 19dBV unloaded
GAIN	0dB nominal, + 20dB maximum, field alterable
FREQUENCY RESPONSE*, **	+ 0dB, -0.5dB
THD*, **	Less than 0.02% @ 0dBV output
EQUIVALENT INPUT NOISE*, **	Less than -93dBV
REMOTE CONTROLLED INPUT SWITCH	
Control	Dry contact or open collector transistor to ground
Feedthrough	Less than -80dB @ 1 kHz
REMOTE OUTPUT LEVEL CONTROL	
Range	0dB to -50dB then off (-100dB)
Control	10k Ω linear pot with dry contact (off switch) in wiper leg
CURRENT CONSUMPTION	50 mA
MODULE SPACE	1 unit, 1.2 inches

* Measured over a 20 Hz - 20 kHz bandwidth

** Measured at nominal 0dB gain

ARCHITECT'S SPECIFICATIONS

The input selection mixer shall provide four active balanced inputs, each having a remote controlled solid state switch. The active balanced output shall be the mix of any combination of selected inputs. An additional auxiliary input shall enable input expansion if required. Frequency response shall be +0, -0.5dB, 20 Hz to 20 kHz. THD shall be less than 0.02% at 1 kHz and 0dBV. Equivalent input noise shall be less than -93dBV, 20 Hz to 20 kHz. Nominal gain shall be unity, adjustable to 20dB maximum. Nominal gain shall be alterable by a gain programming resistor. Gain controls shall be provided on each input and the output. The output signal shall be monitored by a signal present LED. Channel switching shall be controlled by either a dry contact or an open collector transistor to ground. Audible clicks shall not occur when switch settings are changed. Feedthrough of non-selected inputs shall be attenuated by greater than 80dB at 1 kHz. Remote adjustment of the output level shall be by a DC control voltage. A continuous control range of 50dB shall be provided but shall be alterable to restrict range. Full counterclockwise shall provide 100dB attenuation. On/off control of 100dB attenuation shall be activated by a remote switch in the wiper leg of the potentiometer without disturbing the potentiometer setting. Bypass of the remote level control feature shall use a simple pin-jumper on the module. The mixer shall mount in and be powered by the IRP model DJ-4100, DJ-4101, or DJ-4150 mainframe. The mixer shall be the IRP DJ-4113A Line Select Mixer.

ORDERING INFORMATION

Specify: DJ-4113A Line Select Mixer