

DESCRIPTION

The DJ-4122 provides four active balanced inputs and four active balanced outputs. Solid state switches, controlled by DIP switches, select any or all inputs to any output.

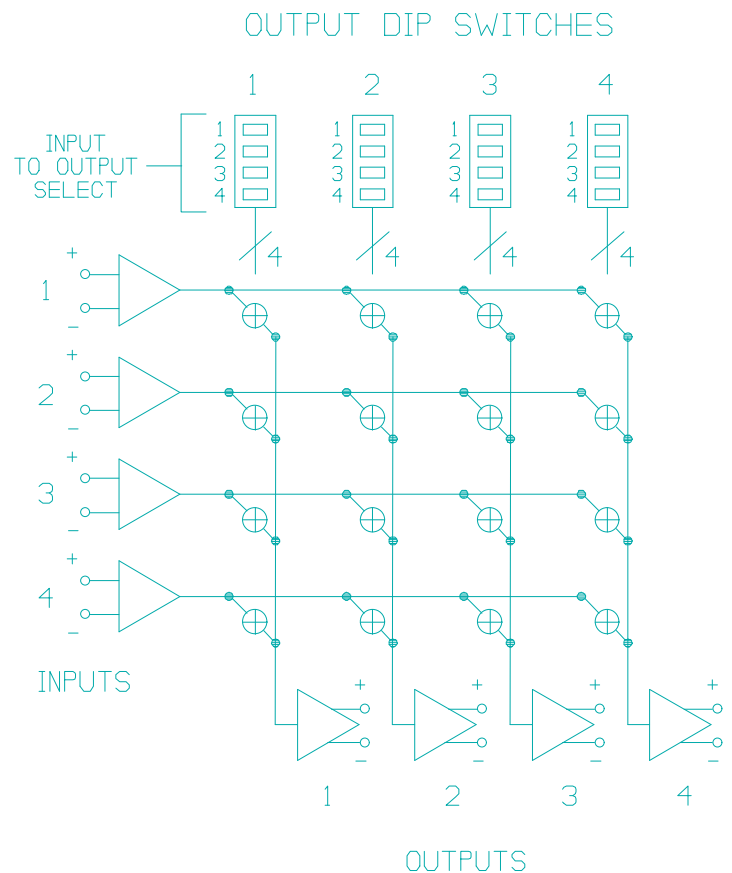
DESIGN SYMBOL



FEATURES

- Unity gain
- Low crosstalk/feedthrough
- Ideal for Mix-Minus systems
- Clickless switching
- Five Year Limited Warranty

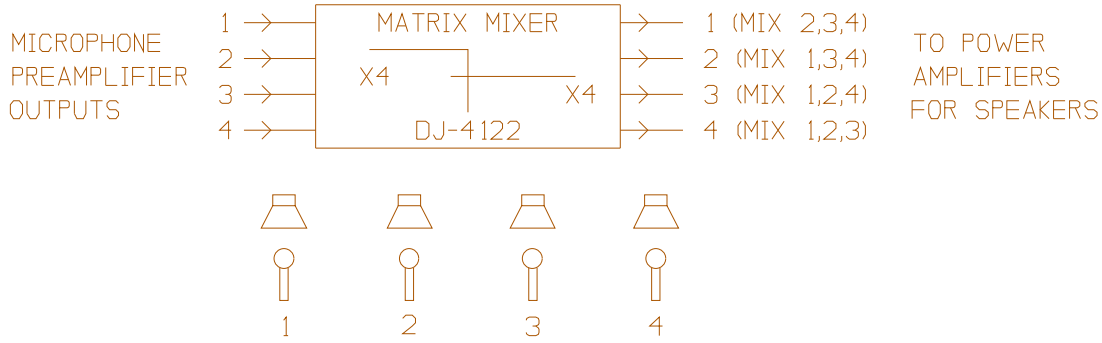
FUNCTIONAL DIAGRAM



OPERATION

The DJ-4122 is equipped with 4 DIP switches. Each of these 4-position DIP switches corresponds to one of the outputs in the matrix mixer. The positions 1-4 on each DIP switch correspond to the audio inputs 1-4. The signal to each output is the mix of the inputs selected by the 4-position DIP switch corresponding to that output.

Shown below is a simple conference room sound reinforcement system where a Mix-Minus mixing method reduces system feedback potential.



Microphones and speakers are located at positions 1 through 4. Note each speaker is fed the mix of all microphones minus the microphone at the speaker position.

SPECIFICATIONS

LINE INPUT	Standard SYSTEM 41 active balanced
Impedance82k Ω balanced, 41k Ω unbalanced
Maximum Input	+ 19dBV
LINE OUTPUT	Standard SYSTEM 41 active balanced
Impedance	200 Ω for 600 Ω or greater load
Maximum Output	+ 19dBV, unloaded
GAIN	0dB (unity)
FREQUENCY RESPONSE*	+ 0dB, -0.5dB
THD*	Less than 0.02% @ 0dBV output
EQUIVALENT INPUT NOISE*	Less than -90dBV
CROSSTALK/FEEDTHROUGH	Less than -70dB @ 1 kHz
CURRENT CONSUMPTION	40 mA
MODULE SPACE	One unit, 1.2 inches wide

* Measured over a 20 Hz - 20 kHz bandwidth

ARCHITECT'S SPECIFICATIONS

A matrix mixer shall provide four active balanced inputs and four active balanced outputs. Each output mix shall be independently selectable to include any or all inputs. All switches shall be solid state and be activated by DIP switches. Audible clicks shall not occur when switch settings are changed. Gain shall be unity. Feedthrough of non-selected inputs and crosstalk between outputs shall be attenuated by greater than 70dB at 1 kHz. Equivalent input noise shall be -90dBV or less, 20 Hz to 20 kHz. THD shall be less than .02% at 0dB, 20 Hz to 20 kHz. The outputs shall be monitored by a signal present LED. The matrix mixer shall mount in and be powered by the IRP Model DJ-4100, DJ-4101, or DJ-4150 mainframe. The matrix mixer shall be the IRP Model DJ-4122, 4 X 4 Matrix Mixer.

ORDERING INFORMATION

Specify: DJ-4122, 4 x 4 Matrix Mixer