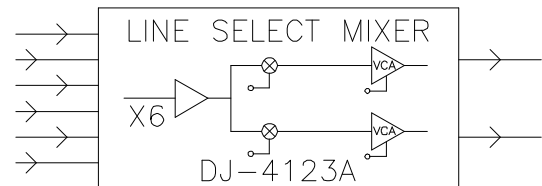


DESCRIPTION

The DJ-4123A provides six inputs mixed to two outputs. Each input can be remotely routed to either or both outputs. Each output features remote VCA level control. The DJ-4123A is particularly useful for any application requiring two separate mixed outputs. Gain is adjustable in each input and both outputs, independently, with potentiometers on the front edge of the module.

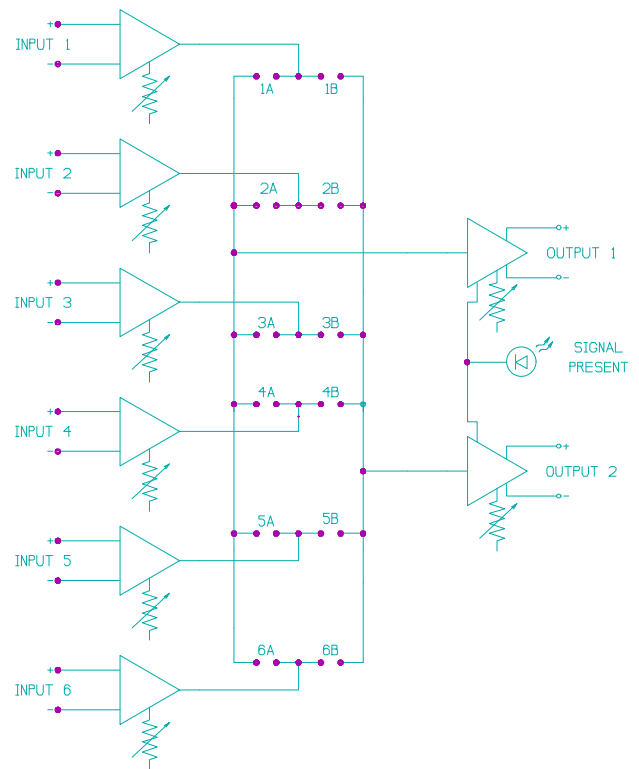
DESIGN SYMBOL



FEATURES

- Six active balance inputs
- Two active balanced outputs
- Remote routing of inputs to outputs
- Output VCA level control
- Signal Present LED
- Removeable screw clamp style connectors

FUNCTIONAL DIAGRAM



OPERATION

Gain of each input channel and each output is adjusted by a potentiometer on the front edge of the module. Each output is an independent mix from the six inputs as selected by simple moveable pin-jumpers on the module.

SPECIFICATIONS

LINE INPUT Standard *SYSTEM 41* active balanced
Impedance $82k\Omega$ balanced, $41k\Omega$ unbalanced
Maximum Input +19 dBV
LINE OUTPUT Standard *SYSTEM 41* active balanced
Impedance 200Ω for 600Ω or greater load
Maximum Output +19dBV, unloaded
GAIN
0dB nominal, +20dB maximum,
.....
..... field alterable
FREQUENCY RESPONSE* +0dB, -0.5dB
THD** Less than .02% @ 0dBV output
EQUIVALENT INPUT NOISE** Less than -96dBV
MODULE SPACE One unit, 1.20 inches wide
CURRENT CONSUMPTION 60 mA typical

* Measured over a 20 Hz - 20 kHz bandwidth

** Measured at nominal gain setting

ARCHITECT'S SPECIFICATIONS

The mixer shall provide six active balanced inputs and two active balanced outputs. Each input shall be jumper programmable to either one or both of the outputs. Frequency response of the mixer shall be +0, -0.5dB, 20 Hz to 20 kHz. T.H.D. shall be less than .02% at 1 kHz and 0dBV. Equivalent input noise shall be -96dBV, or better, 20 Hz to 20 kHz. Nominal gain shall be unity, adjustable to 20dB maximum. Maximum gain shall be alterable by a gain programming resistor. Gain controls shall be provided for each input and each output. The output signal shall be monitored by a signal present LED. The mixer shall mount in and be powered by the IRP Model DJ-4100, or DJ-4101 mainframe. The mixer shall be the IRP Model DJ-4123A.

ORDERING INFORMATION

Specify: 6 X 2 Line Mixer DJ-4123A