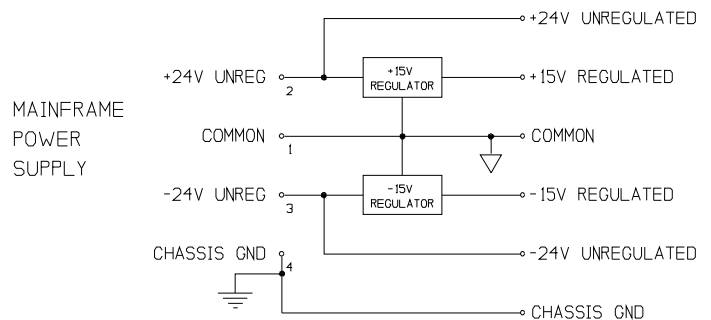


DESCRIPTION

The DJ-4124 and DJ-4125 provide customizable modules. Circuits special to a given application may be constructed using these System 41 compatible modules.

FEATURES

- Universal prototyping PC board
- 24 VDC unregulated
- 15 VDC regulated
- Single or double width rear panel



ARCHITECT'S SPECIFICATIONS

A customizable module shall be provided. The module shall have a prototyping circuit board with a universal hole pattern based on .1" centers. The module shall provide separate 24VDC unregulated and 15VDC regulated power. The 15VDC regulated power supply shall have a maximum current output capacity of 250 mA. A single (DJ-4124) or dual (DJ-4125) 16 position barrier block shall be provided on the rear panel. The panel width shall be 1.2" (DJ-4124) or 2.4" (DJ-4125). The module shall mount in and be powered by the IRP model DJ-4100/ DJ-4101/DJ-4150 mainframe. The module shall be the IRP DJ-4124/ DJ-4125 Custom Module.

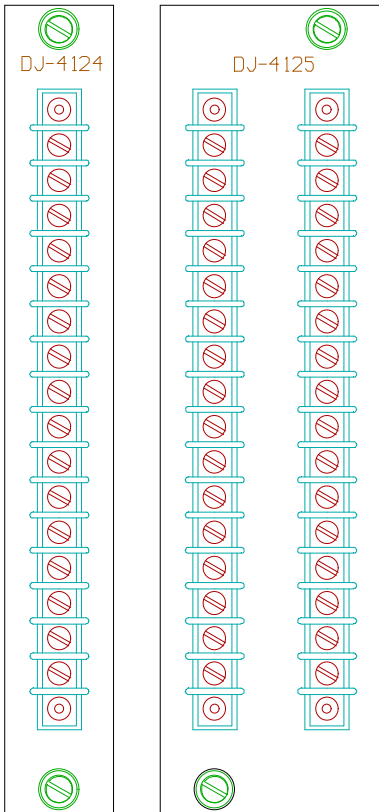
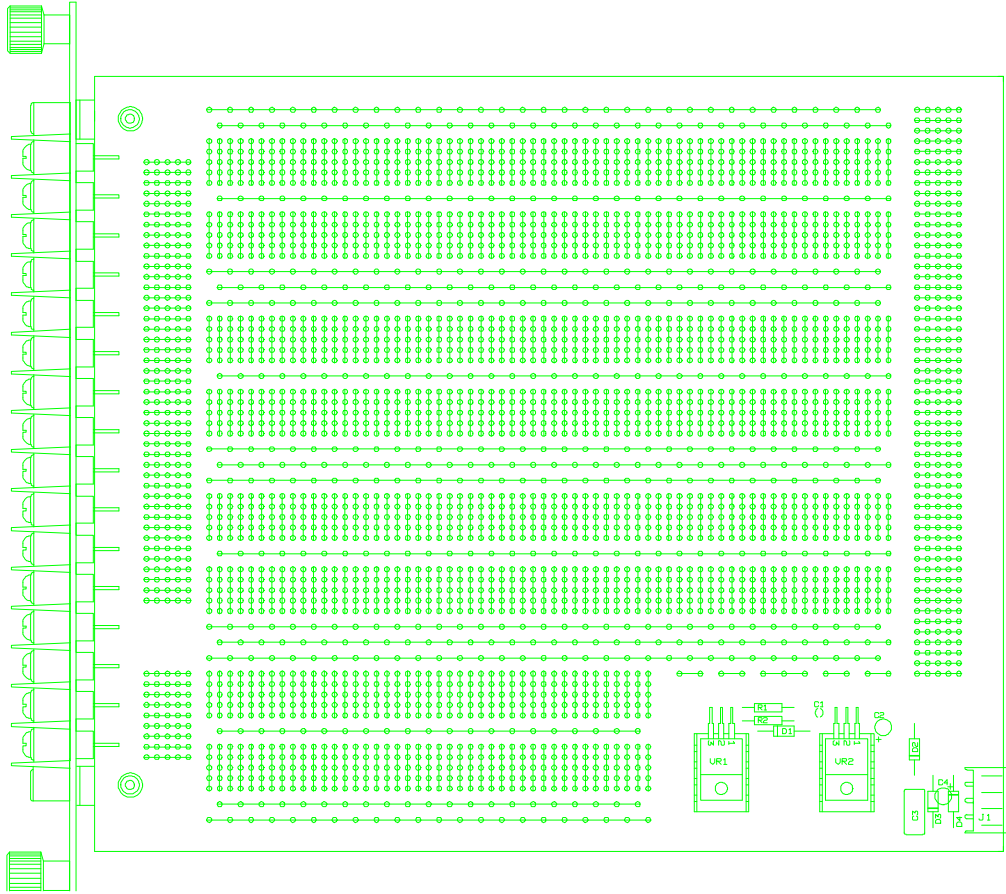
SPECIFICATIONS

PWB Pattern	PCM .1 inch
Rear Panel Connection	16 barrier block Dual (DJ-4125)
Panel Width	1.2" DJ-4124 2.4" DJ-4125
Power:	
Voltage	24 VDC 20% unregulated 15 VDC 5% regulated
Current	250 mA maximum from regulated supply
Grounding	Signal ground and chassis ground

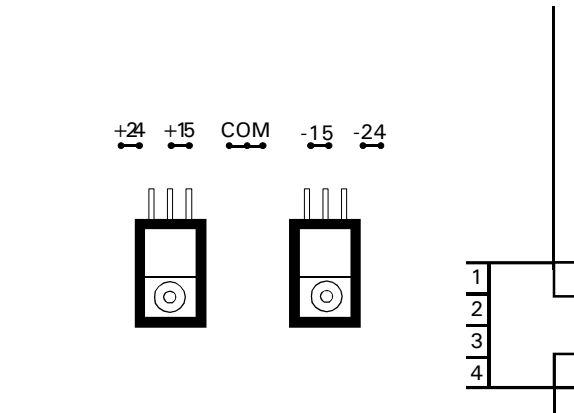
ORDERING INFORMATION

Specify: Custom Module DJ-4124
Custom Module DJ-4125

MODULE DETAIL



REAR PANELS



POWER SUPPLY DETAIL