

### DESCRIPTION

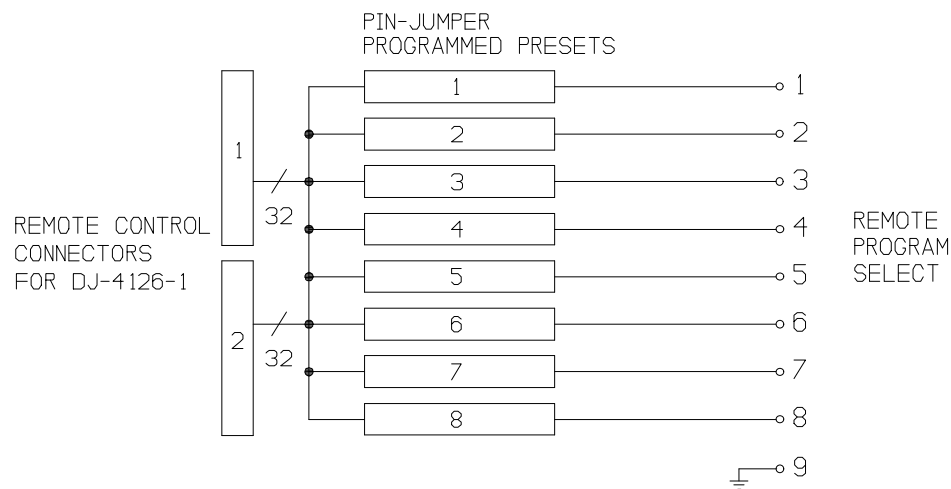
The DJ-4128-8 is the remote control module for a DJ-4126-1 Remote Controlled 8 x 8 Matrix Mixer. The DJ-4128-8 provides eight independent preset configurations of input to output routing for the matrix mixer. Each preset forms a diode logic matrix which controls the 64 input/output crosspoint switches in the DJ-4126-1. Pin-jumpers are used to store the unique configurations of the individual preset programs. Each preset is remotely activated via maintained dry-contact switch (or open-collector transistor logic) closures to ground. Preset programs may be combined by activating more than one program at a time. A single DJ-4128-8 can address up to 256 combinations of matrix mixer configurations by simultaneous activation of multiple preset programs.

### DESIGN SYMBOL



### FEATURES

- Single DJ-4128-8 controls one or more DJ-4126-1 Matrix Mixers.
- Multiple DJ-4128-8 modules increase preset configurations by eight per additional DJ-4128-8.
- Remote control of active presets by maintained dry-contact or open-collector transistor logic closures to ground.
- Front-edge preset selector thumbwheel switch for local preset control and set-up testing.
- Pre-programmed preset configurations are selectable individually or in combinations.
- Ideal for remote control of mixing and switching systems.



---

---

## SPECIFICATIONS

REMOTELY CONTROLLED PRESET PROGRAMS .....	Eight
INPUT LOCK PROGRAM .....	Forces any or all sixty-four matrix crosspoint switches to the ON state
PROGRAMMABLE CROSSPOINTS PER PRESET PROGRAM .....	Sixty-four
PROGRAM SELECTION LOGIC .....	Remote switch logic inputs are internally pulled-up to +15VDC. Dry-contact, or open-collector transistor logic to ground (2 mA max sink) activates preset program.
PROGRAM SELECTION .....	Individual, or in parallel combinations of simultaneous preset PROGRAMS
PROGRAMMING METHOD .....	Manual, miniature pin-jumpers
CURRENT CONSUMPTION .....	None
MODULE SPACE .....	One unit, 1.2 inches

## ARCHITECT'S SPECIFICATIONS

The remote controller module shall provide remote control for the matrix mixer. Maintained dry-contact switch or open-collector transistor logic closures to ground shall remotely select eight preset combinations of matrix mixer programs. A thumbwheel switch shall locally address the preset programs for installation, set-up, and testing. Each of the eight preset matrix mixer programs shall permanently store the pre-programmed mixer-crosspoint logic-states by manual insertion of pin-jumpers. An additional INPUT LOCK setting, programmable by pin-jumpers, shall force the ON state of selected matrix mixer crosspoints. Remote control shall independently address the eight preset programs. Simultaneous remote activation of multiple preset programs shall provide a maximum of 256 matrix mixer configurations from a single remote controller. The parallel connection of additional matrix controllers shall provide increments of eight additional matrix preset programs. The controller shall operate the IRP model DJ-4126-1 Remote Controlled 8 x 8 Matrix Mixer. The controller shall mount in the IRP model DJ-4100, DJ-4101, or DJ-4150 mainframe. The controller shall be the IRP model DJ-4128-8 Remote Matrix Controller.

## ORDERING INFORMATION

Specify: DJ-4128-8, Remote Matrix Controller for DJ-4126-1

Note: Contact factory before ordering systems with parallel connections of multiple DJ-4128-8 controller modules and/or multiple DJ-4126-1 matrix mixers. Special connection cables will need to be supplied.