

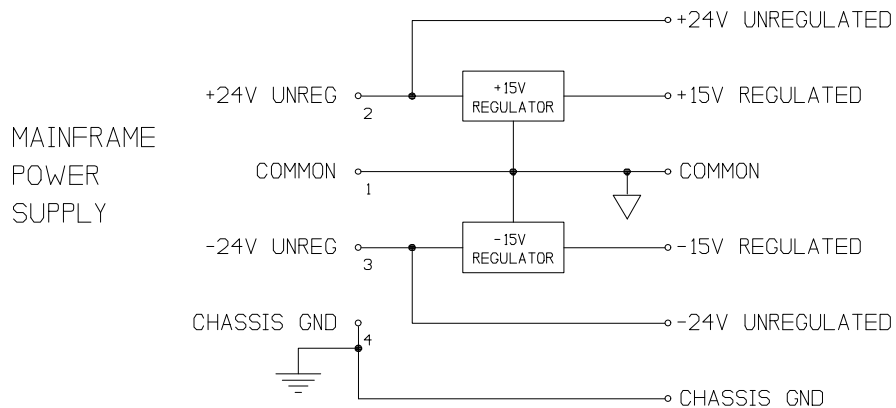
DESCRIPTION

The DJ-4124 and DJ-4125 provide customizable modules. Circuits special to a given application may be constructed using these System 41 compatible modules.

FEATURES

Universal prototyping PC board
 24 VDC unregulated
 15 VDC regulated
 Single or double width rear panel

FUNCTIONAL DIAGRAM



ARCHITECT S SPECIFICATIONS

A customizable module shall be provided. The module shall have a prototyping circuit board with a universal hole pattern based on .1" centers. The module shall provide separate 24VDC unregulated and 15VDC regulated power. The 15VDC regulated power supply shall have a maximum current output capacity of 250 mA. A single (DJ-4124) or dual (DJ-4125) 16 position barrier block shall be provided on the rear panel. The panel width shall be 1.2" (DJ-4124) or 2.4" (DJ-4125). The module shall mount in and be powered by the IRP model DJ-4100/ DJ-4101/DJ-4150 mainframe. The module shall be the IRP DJ-4124/DJ-4125 Custom Module.

SPECIFICATIONS

PWB Pattern	PCM .1 inch
Rear Panel Connection	16 barrier block Dual (DJ-4125)
Panel Width	1.2" DJ-4124 2.4" DJ-4125
Power:	
Voltage	24 VDC 20% unregulated 15 VDC 5% regulated
Current	250 mA maximum from regulated supply
Grounding	Signal ground and chassis ground

ORDERING INFORMATION

Specify: Custom Module DJ-4124
 Custom Module DJ-4125