



Professional Sound Products

ISO-1 Microphone Isolation Mount

FEATURES

Over 20dB Impact Isolation

Low Profile Mounting

Steel Construction

3-Pin XLR Connector

1 1/4" Mounting Diameter

DESCRIPTION

The low profile ISO-1 microphone isolation mount is designed to accept the GM-515/520 gooseneck microphones as well as any other microphone with a three pin professional audio connector.

The ISO-1 features specially compounded energy absorbing "shock mounting" dampers that decouple the base from sources of unwanted mechanical resonance, i.e. podiums, lecterns, tables, etc. This highly effective design improves the ability to isolate the base and microphone from external noise by over 20dB.

The GMS-555 features an all steel construction with dual point impact suspension. The heavy duty design allows for repeated microphone removals without damage or suspension fatigue. Unlike many shock systems the IRP ISO-1 will not allow microphones to droop or sag. Three wood screws are provided for mounting into a 1 1/4" diameter cutout.

The ISO-1 is supplied with a rugged overall shielded 6' balanced line cable.

The ISO-1 has a ebony finish and is manufactured in the USA.



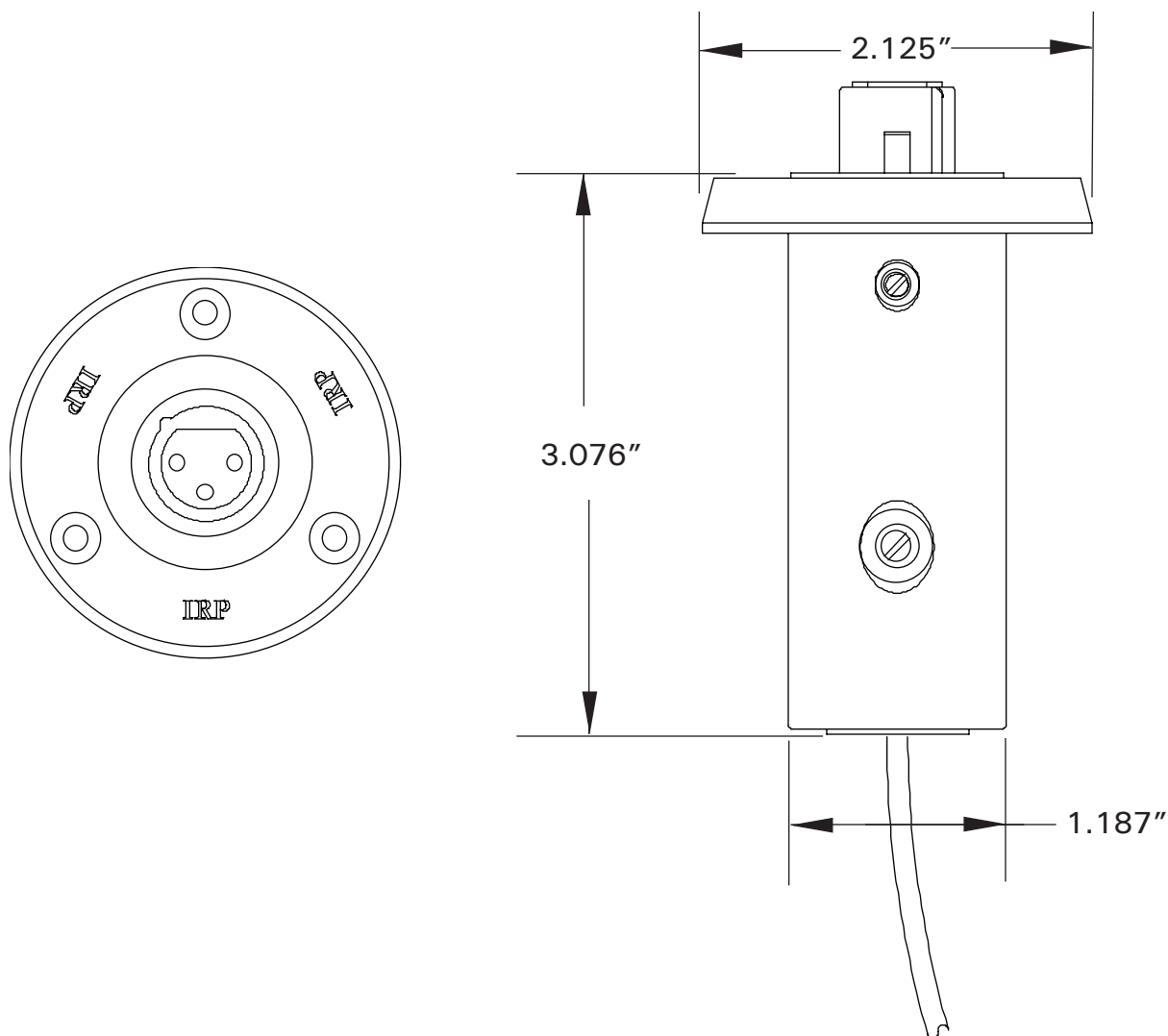
APPLICATIONS

The ISO-1 can be used in a wide variety of applications including:

- | | |
|------------------|-------------|
| Council Chambers | Courtrooms |
| Conference Rooms | Paging |
| Lecterns | Schools |
| Pulpits | Restaurants |

SPECIFICATIONS

- Dimensions(See drawing on reverse)
 Net Weight1.4oz.....
 Finish Black



ARCHITECTS' AND ENGINEERS SPECIFICATIONS

The product shall provide an impact and shock isolation mount for use with mini-gooseneck microphones. A dual suspension system will position the microphone firmly in place while providing a suitably rigid mounting platform. The isolation mount will feature a standard 3 pin quick disconnect female type XLR connector for attachment and removal of microphone with 6 feet of balanced unterminated line cord. The mount will be constructed of steel with custom formulated elastomer isolation bushings. The isolation will provide over 20dB reduction in mechanically transmitted shock and surface noise. The mount will be finished in black paint. The dimensions of the mount will be 2.215" at the largest diameter, have an overall height of 3.076" and mount into a 1 1/4" diameter hole with three included wood screws. The weight of the mount will be 14 oz. The isolation mount shall be the IRP ISO-1.

ORDERING INFORMATION

Specify: ISO-1, Isolation Mount